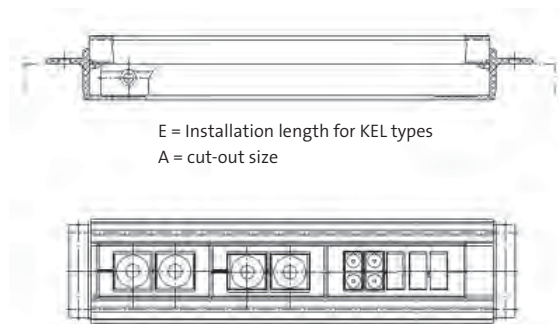
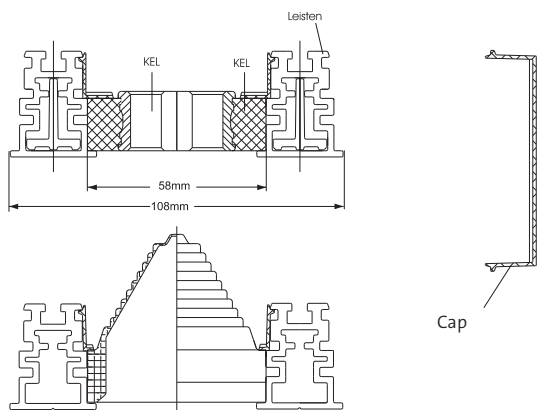


# KDR Cable entry frame



E = Installation length for KEL types  
A = cut-out size

Type	Order No.	Size	Length
------	-----------	------	--------

KEL - R 24   10	43240	24	147 mm
KEL - R 24   7	43247	24	147 mm
KEL - R 24   5	43245	24	147 mm
KEL - R 24   4	43244	24	147 mm
KEL - R 16   8	43168	16	120 mm
KEL - R 16   5	43165	16	120 mm
KEL - R 16   4	43164	16	120 mm
KEL - R 16   2	43162	16	120 mm
KDR	44xxx		xxx mm
KT - Uni	43100	∅ 6 -40 mm	58 mm
Cap	43150		172 mm
End piece	43160		2 pieces

## KDR ordering information

When ordering KDR cable entry frame, please inform us about:

A = cut-out size

Example: A = 999 mm equals KDR 44999

total length can be equipped as desired with any of the types see table on the left.

### Included in delivery:

- 1x KDR - frame by length
- 2x end pieces